

Stephan Dahlmann

Mechanik und Antriebstechnik GmbH

Beuler Höhe 11, 45525 Hattingen (Germany)

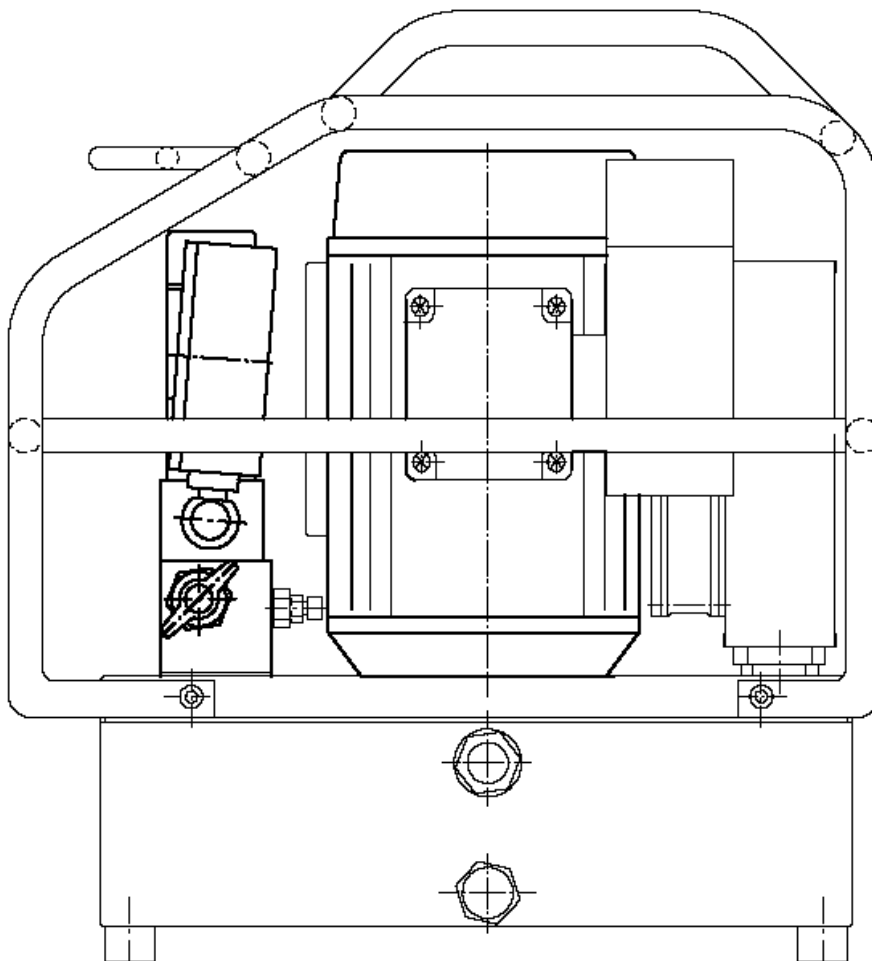
Tel. +49 (0) 2324 55515

Fax +49 (0) 2324 53885

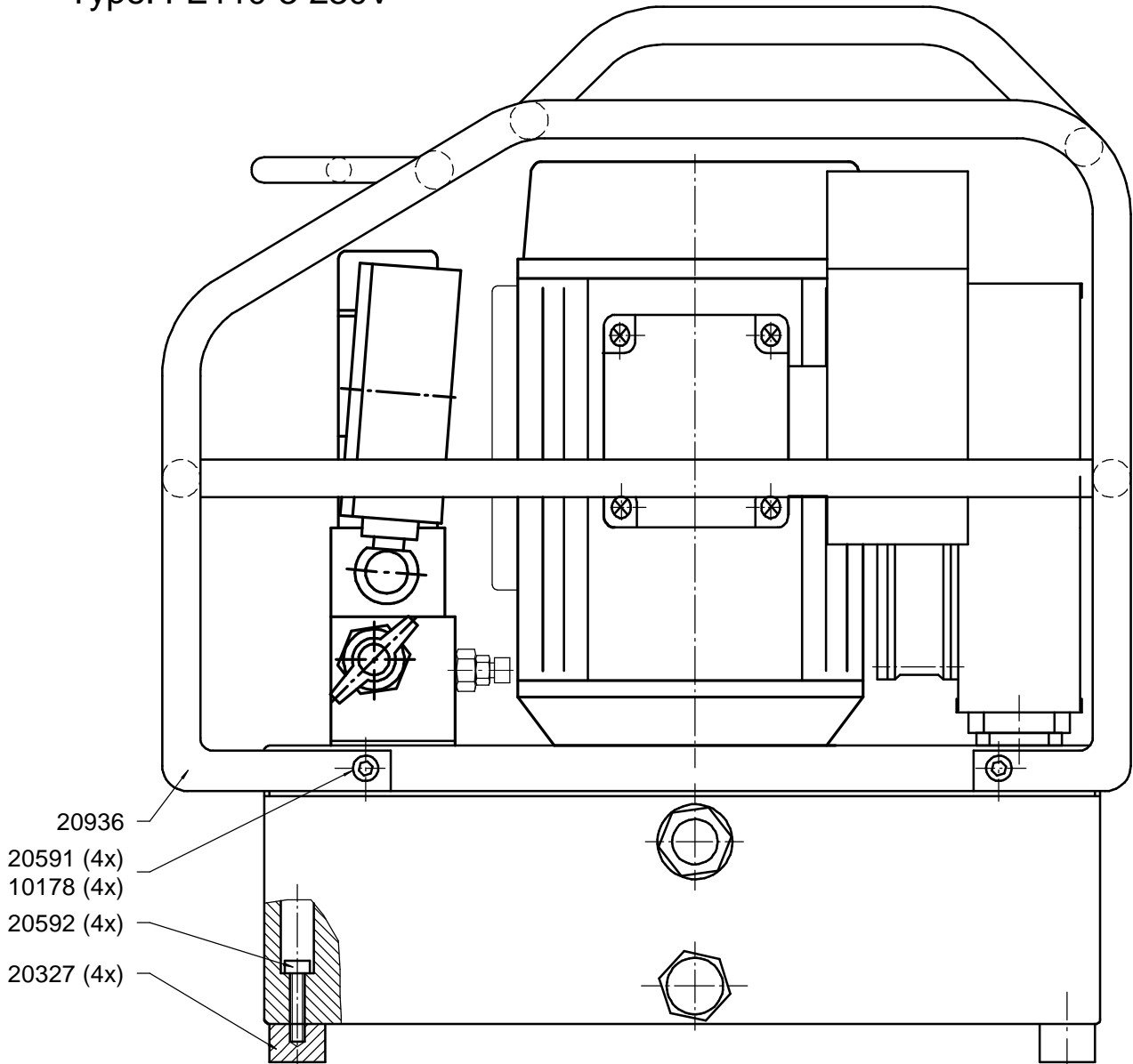
info@stephandahlmann.de

www.stephandahlmann.com

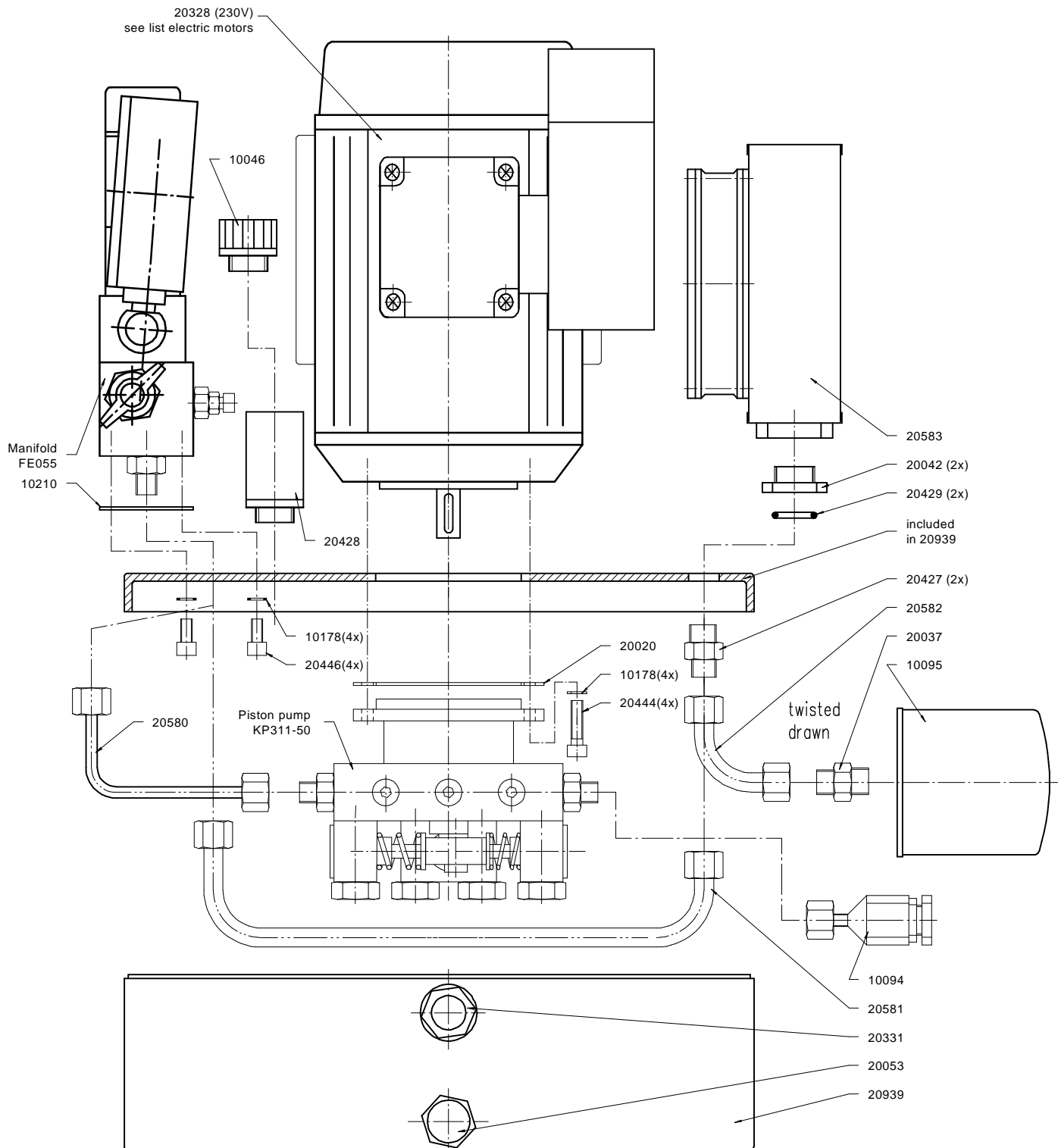
Spare Parts Hydraulic Pump FE110-3-230V



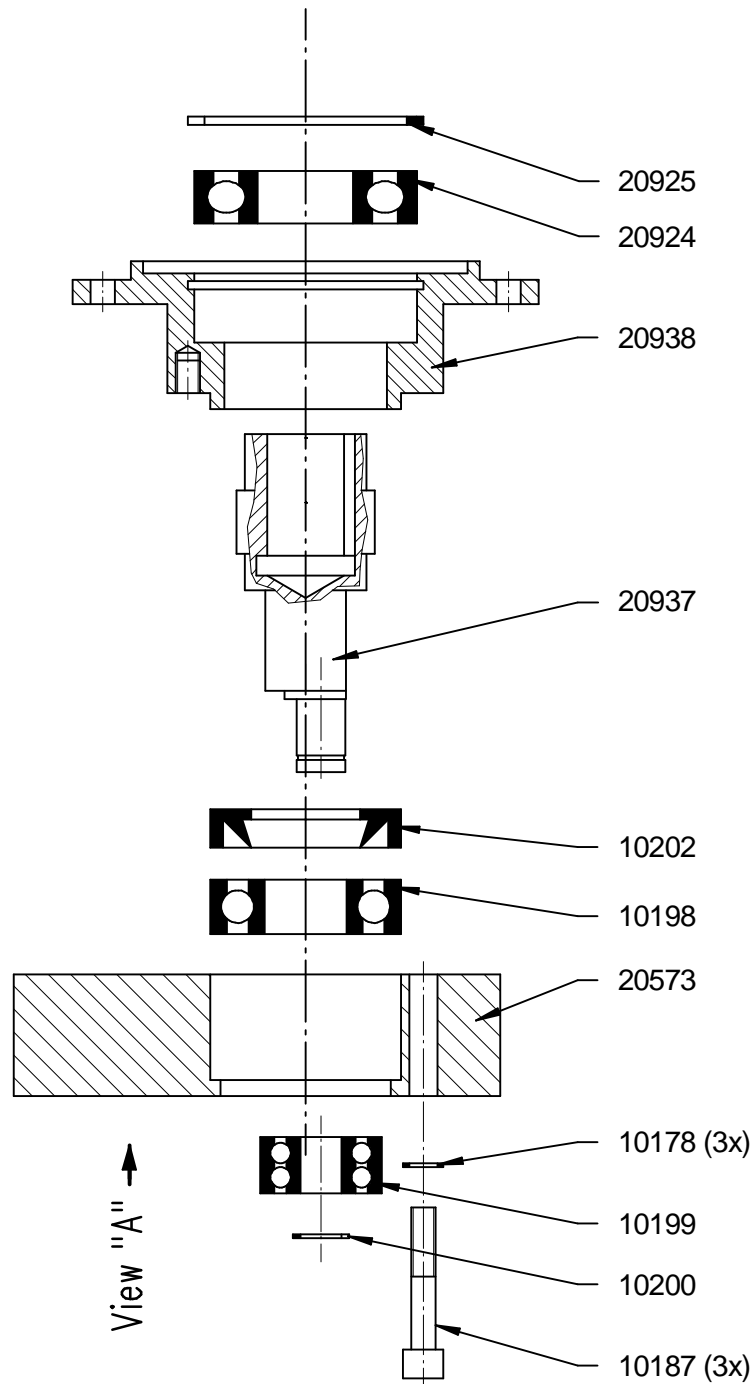
Type: FE110-3-230V



Hydraulik pump FE110-3-230V "internal"

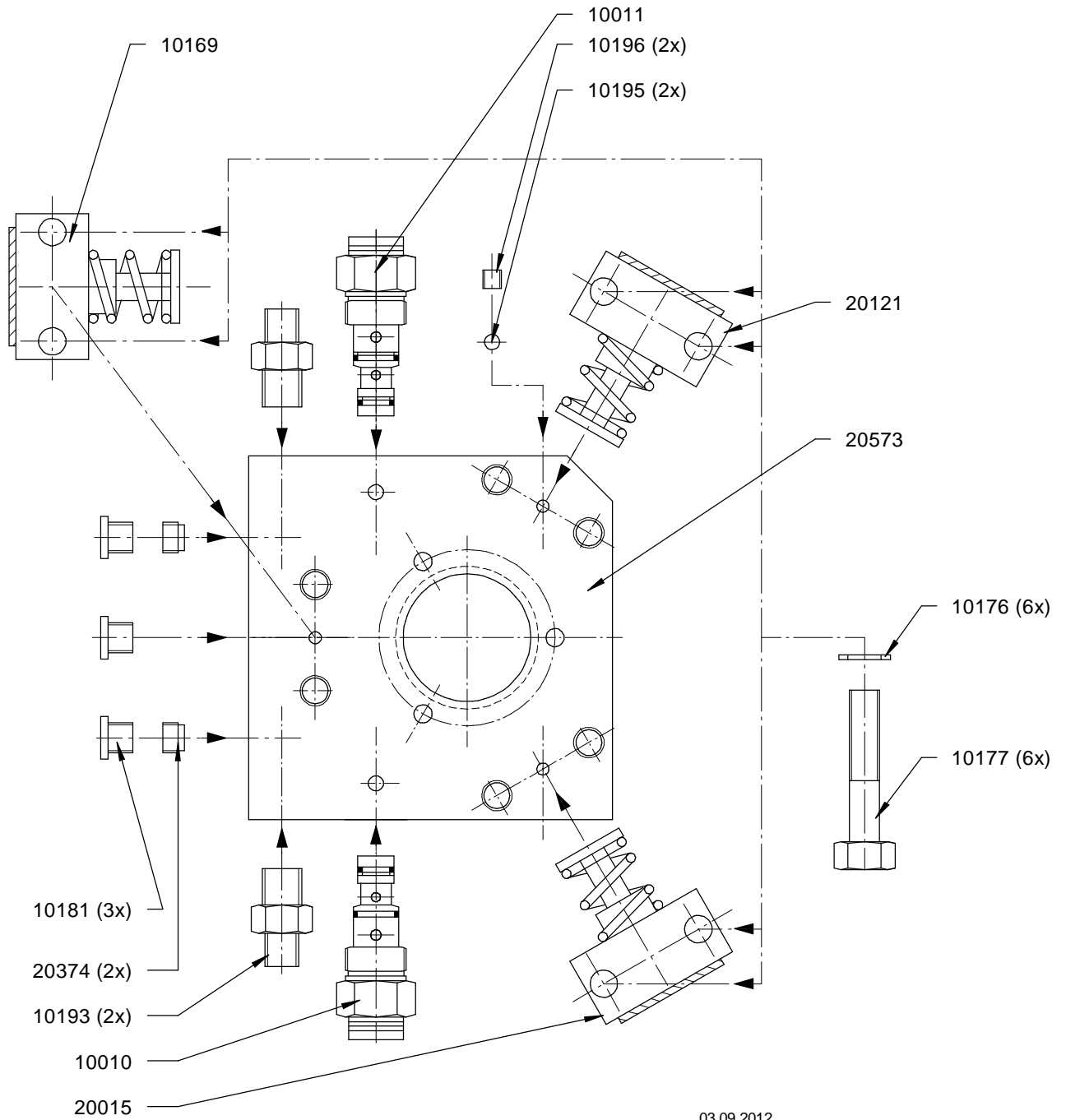


Piston pump KP311-50

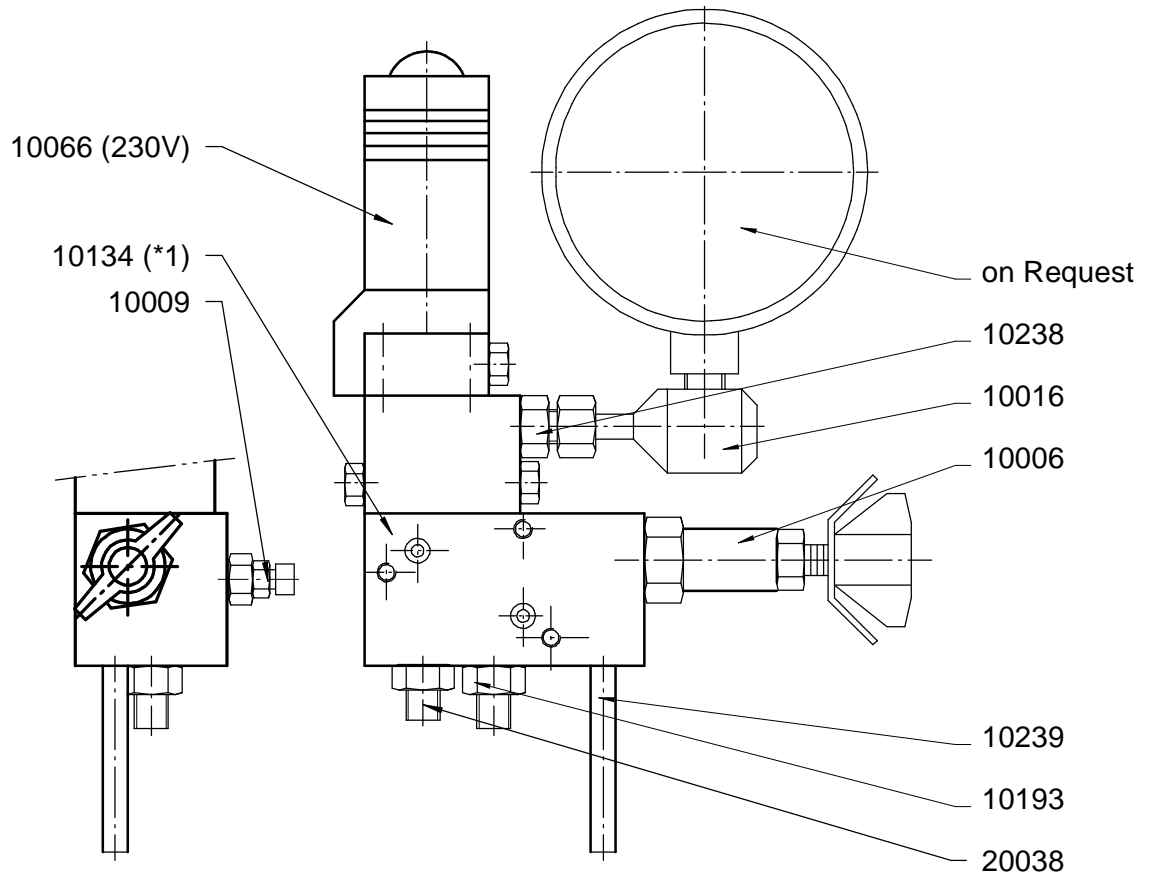


03.09.2012

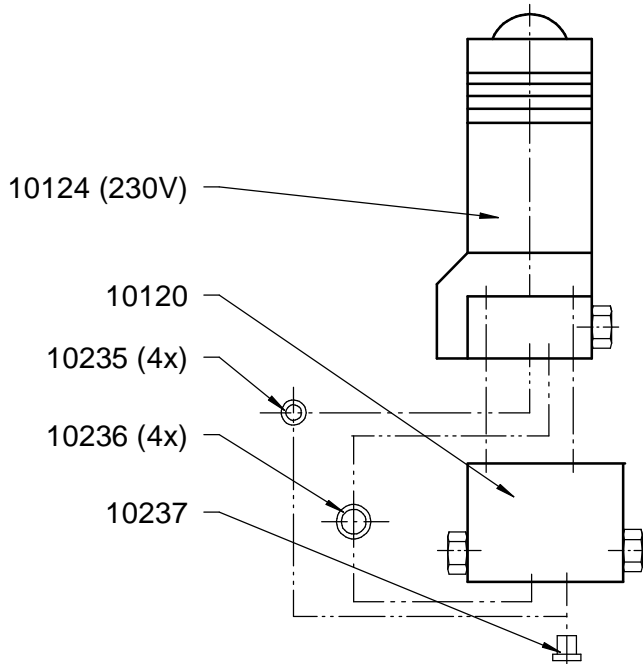
Piston pump KP311-50 View "A"



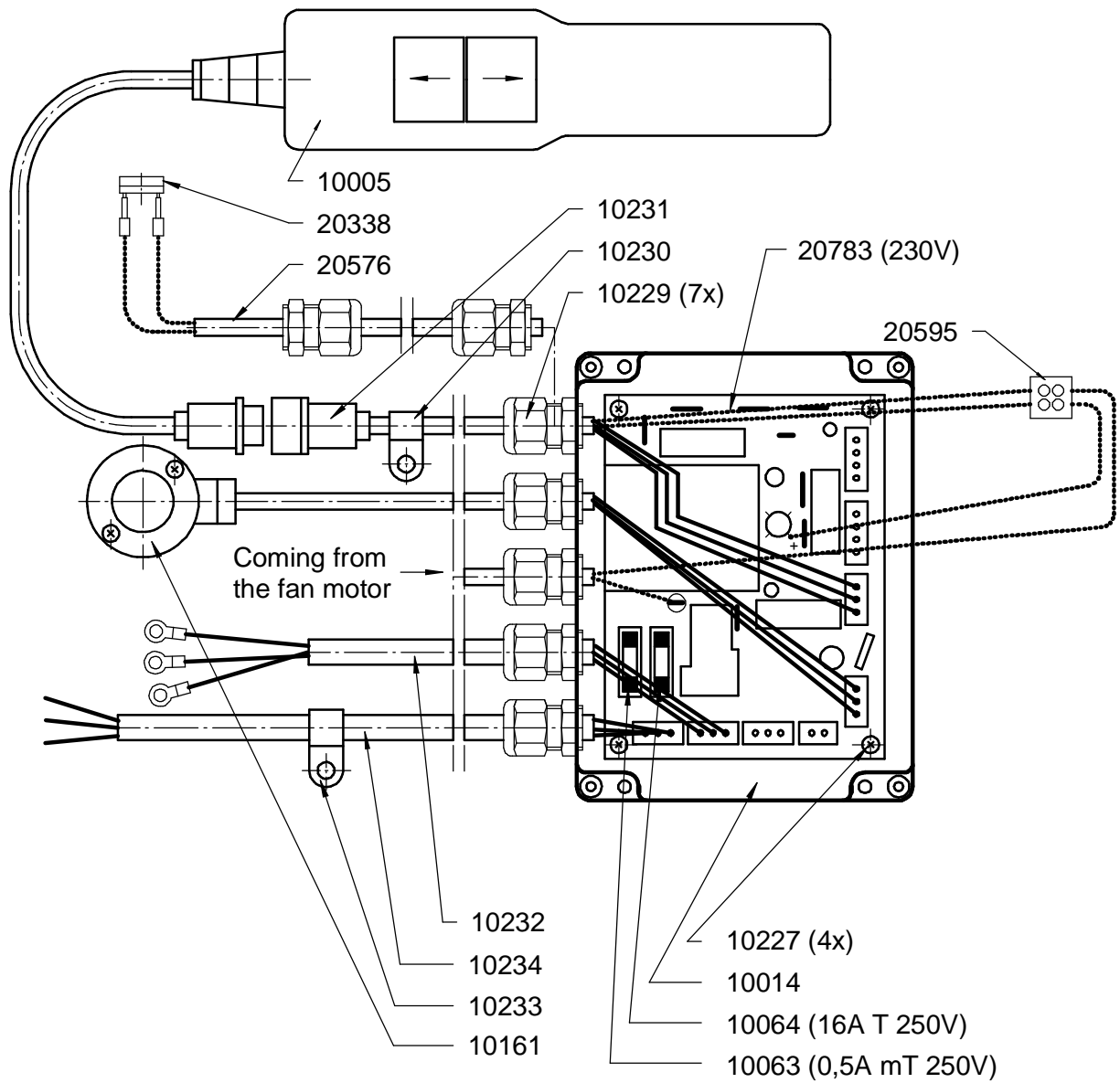
Manifold FE110-3-230V



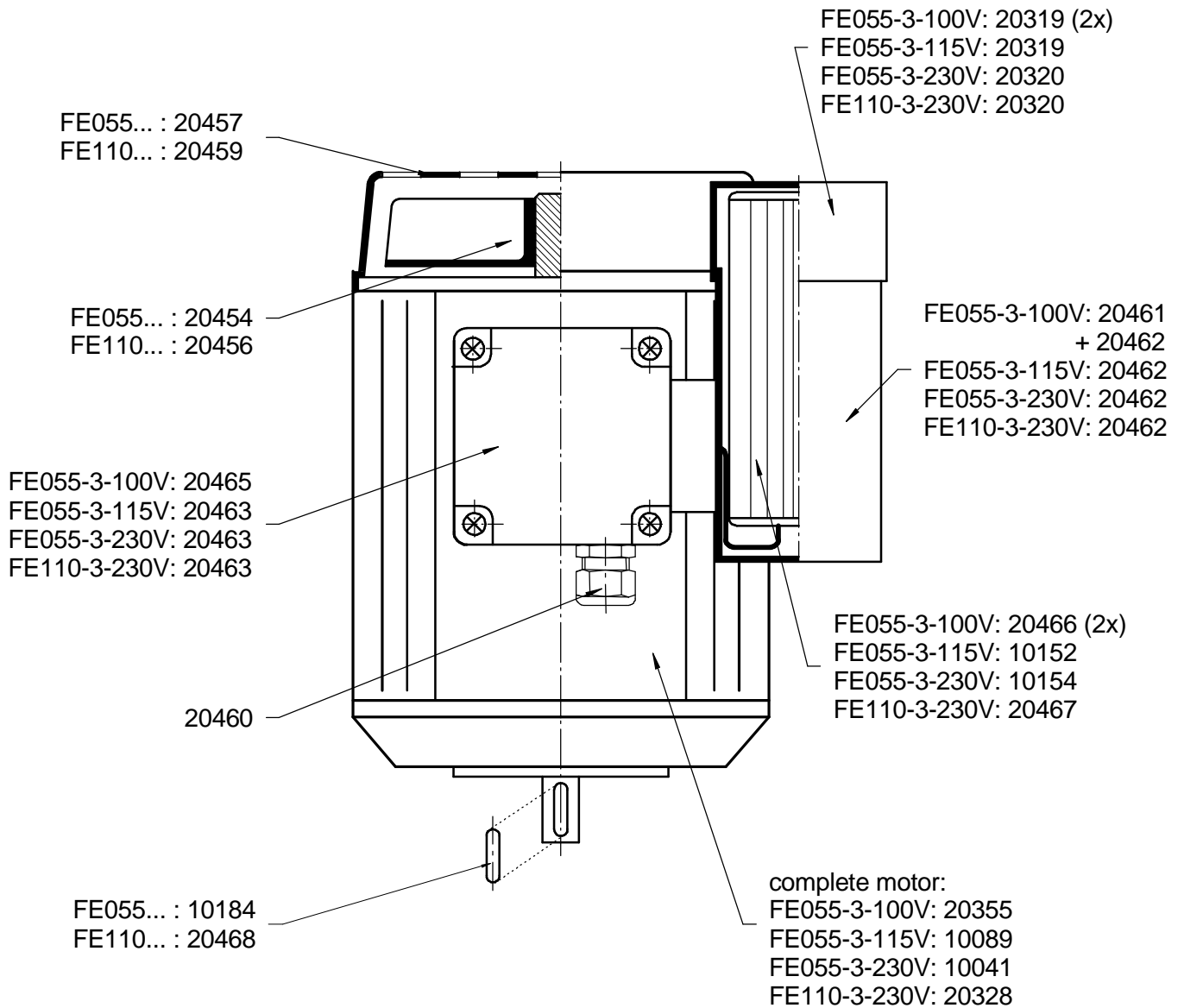
*1 : For direct Coupler connection use 10082



Electric box FE110-3-230V



Electric Motors FE-Series



03.09.2012